

## Aluminium Bar LED Strip - 5050

FR4 p.c.b. strip with 40 single colour LED xx9Q53 on 60 cm length.  
 2 p.c.b. 30 cm. (2 PLCC6 LED with 3 dice each 6 dice in series)  
 LED pitch 14,3 mm. LED radiation angle 120°.

Standard version has p.c.b. protected by clear silicone (I)  
 Strips are available also without protection (type N)

Operating current: 0,46A every 60 cm.  
 Power consumption: 11W every 60 cm.

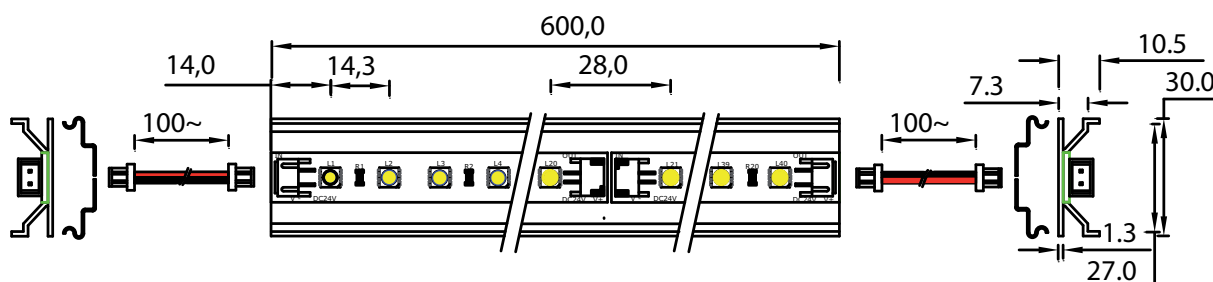


- Ecologically friendly.
- Low energy consumption.
- No UV, IR, mercury and other harmful materials.
- Long lifespan.
- Easy to install and maintain.
- No flickering & FR interference.
- No ignition delay.
- Flexible and miniaturized.

- LED strip lights are direct replacement of traditional daylight lamp.
- General Light - Cove Light
  - Accent Lighting
  - Furniture - Bookshelves
  - Cabinet - Showcase
  - Interior Design
  - Art Installation

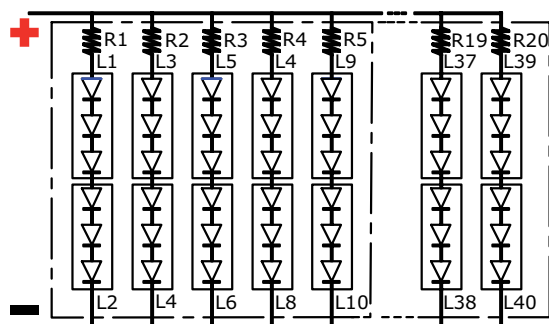
Electrical & Optical spec. (absolute typical rating at Ta=25°C)

Part Number	LED Colour	Colour Temp. (K)		Lumimous Flux typ.	Input Voltage	Current on dice
		Wavelength λd (nm) min.	max.			
HP-040060WW-I-001	Warm White	2700 K	3600 K	195 lm	24Vdc	20mA
HP-040060NW-I-001	Neutral White	3500 K	4500 K	195 lm	24Vdc	20mA
HP-040060CW-I-001	Cold White	5000 K	7000 K	195 lm	24Vdc	20mA
HP-040060DBK-I-001	Blue	470 nm		60 lm	24Vdc	20mA
HP-040060DGM-I-001	Green	530 nm		115 lm	24Vdc	20mA



Dimensions:

1. All dimensions are in millimeters.
2. Tolerance is +/-2mm unless differently specified



Series of 2 LED PLCC6 with 3 dice in series each.  
 24Vdc 11W every 60 cm  
 (22,6 ~ 26,2Vdc / 9 ~ 11,7W) .  
 Lifespan: > 30.000 hrs

Humidity: 0 ~ 95%  
 Storage temperature: -40 ~ 80 °C  
 Operating temperature: -30 ~ 70 °C



Packing information

