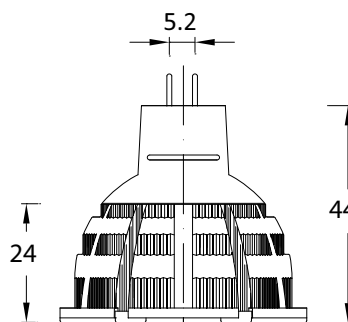
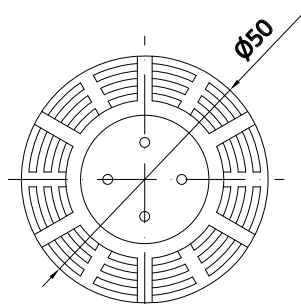


LED BULB MR16 12VAC-DC 6W 15° - 25° - 40°

LED bulb is direct replacement to halogen bulb 25W
 suitable for spotlights with socket GX 5,3
 4 power-chip LED with CRI > 75%
 Aluminium body for excellent heat dispersion

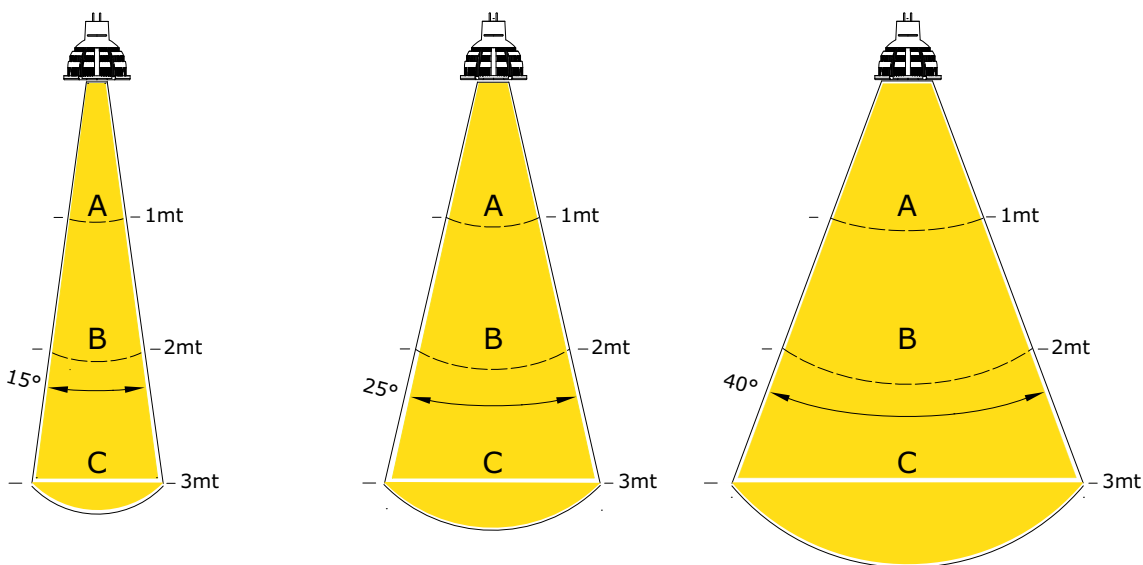


- Ecologically friendly.
- Low heat emission.
- Low energy consumption.
- No UV, IR, mercury and other harmful materials.
- Long lifespan.
- Easy to install and maintain.
- No flickering & FR interference.
- No ignition delay.

- General Light - spot lights
- Bar - club - restaurant
- Shop windows - Showcase
- Furniture - Bookshelves
- Cabinet - Showcase
- Interior Design

Electrical & Optical spec. (absolute typical rating at Ta=25°C)

Part Number	LED Colour	Radiation Angle	Colour Temperature		Luminous Flux typ.	Illuminance @ 1 mt.
			min.	max.		
LMR1L-006WW0-12AD-101	Warm White	15°	2800 K	3800K	290 lm	2700 lux
LMR1L-006WW0-12AD-102	Warm White	25°	2800 K	3800K	280 lm	2000 lux
LMR1L-006WW0-12AD-103	Warm White	40°	2800 K	3800K	270 lm	850 lux
LMR1L-006CW0-12AD-101	Cold White	15°	5000 K	7000K	360 lm	3600 lux
LMR1L-006CW0-12AD-102	Cold White	25°	5000 K	7000K	350 lm	2700 lux
LMR1L-006CW0-12AD-103	Cold White	40°	5000 K	7000K	335 lm	1220 lux

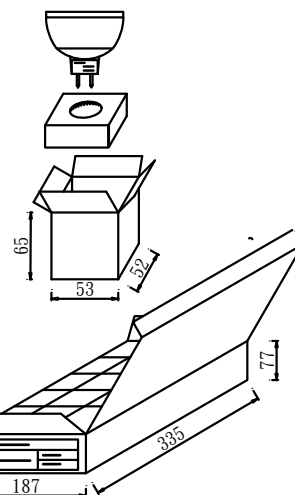


	Radiation Angle 15°		Radiation Angle 25°		Radiation Angle 40°	
	WW	CW	WW	CW	WW	CW
A	2700 lux	3600 lux	2000 lux	2700 lux	850 lux	1220 lux
B	670 lux	900 lux	470 lux	640 lux	240 lux	310 lux
C	300 lux	400 lux	200 lux	280 lux	100 lux	130 lux

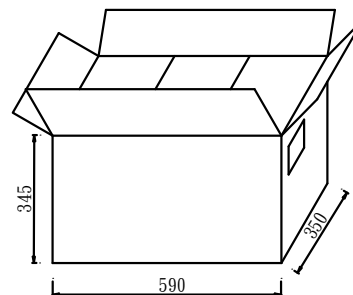
4 high flux LED 1W ceramic base
 12VAC-DC < 6W
 LED Lifespan @ 25°C: > 30.000 hrs

Humidity: 0 ~ 95%
 Storage temperature: -40 ~ 80°C
 Operating temperature: -20 ~ 50°C

Packing information



inner box 15 pcs - 1 Kg.



outer box 180 pcs - 14,5 Kg.

