

LED TUBE T8 100-240VAC

30cm/5W 60cm/10W 90cm/15W 120cm/15W and 22W 150cm/25W

Save energy and help to protect the environment.

The high efficiency of our LED devices reduce power consumption without sacrificing proper lighting performances. Quick return of your investment.

Isolated power supply circuit.

Over 30.000 hrs. life span.

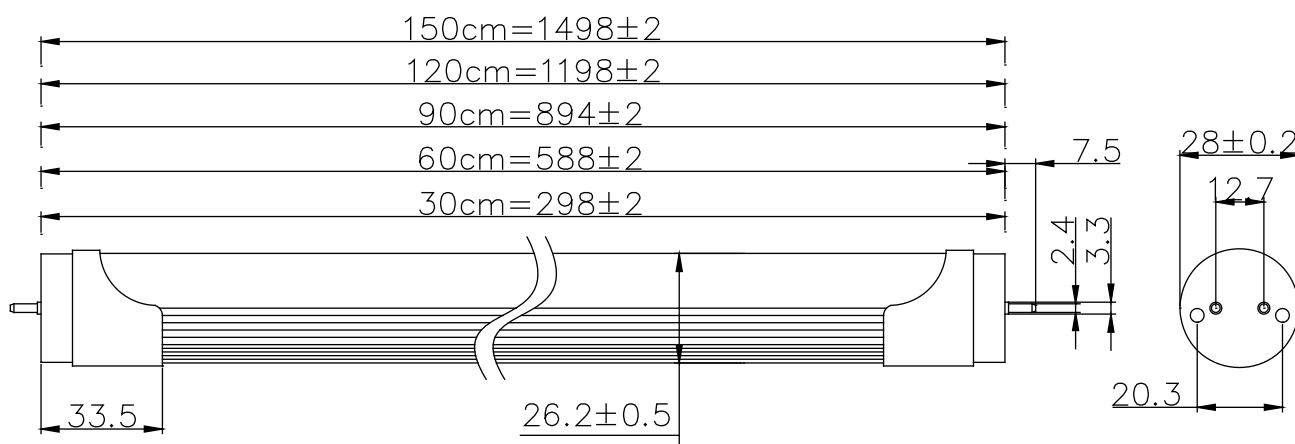
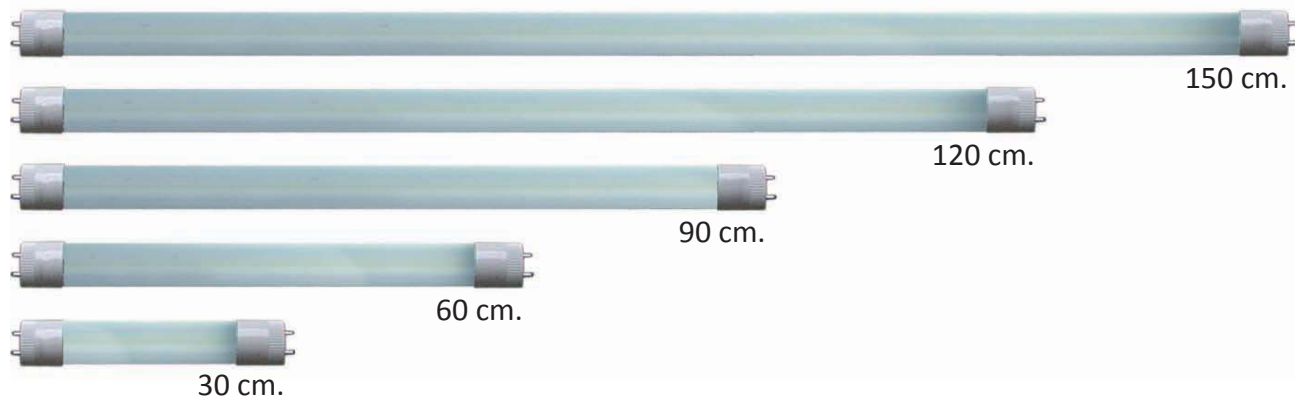
2 years guarantee.



- Ecologically friendly
- Low heat emission
- Low energy consumption
- No UV, IR, mercury and other harmful materials
- Long lifespan
- Easy to install and maintain
- No flickering & FR interference
- No ignition delay
- Sturdy construction.
- No brittle as glass fluorescent tubes

- General Light
- Stores - Shopping malls
- Shop windows - Showcase
- Offices - Public buildings
- Hospital
- Bar - Club -Restaurant
- Cove light
- Furniture - Bookshelves - Cabinet

T8 LED tubes 5 standard sizes: 30 cm. / 60 cm. / 90 cm. / 120 cm. / 150 cm.



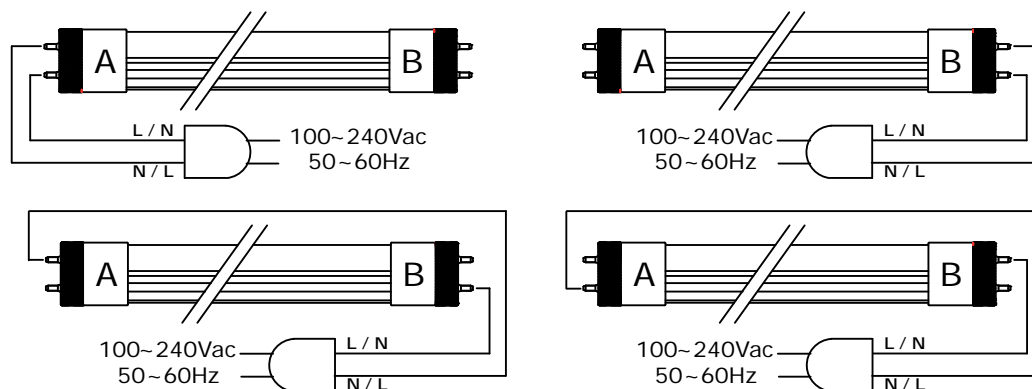
Environmental Specification

Parameter	Rating
Humidity	85% max.
Storage Temperature	-15° ~ 50°C
Operating Temperature	-15° ~ 50°C
Surface Temperature	< 50°C

Power Supply Specification

Parameter	Rating
Input Voltage	100 ~ 240VAC
Power Factor	≥ 0,9
Power Consumption	5-10-15-22-25W
Lifespan	> 30.000 Hours

T8 LED Universal - 4 alternative possible types of connection:





30 cm. **<5W** 48 LED SMD on 1 line on MCPCB 1mm. thick. CE (EMI) FCC

Part Number	LED Colour	Power Consumption	Colour Temperature	Luminous Flux typ.		Illuminance @ 1 mt.	Radiation Angle	CRI %
				MIN.	TYP.			
T8-05CA-298A-J2A1	Cold	5W	5300~7000K	400 lm	450 lm	150 lux	120°	80
T8-05NA-298A-J2A2	Neutral	5W	3750~4500K	400 lm	450 lm	150 lux	120°	80
T8-05WA-298A-J2A3	Warm	5W	2850~3500K	350 lm	400 lm	130 lux	120°	80



60 cm. **<10W** 96 LED SMD on 1 line on MCPCB 1mm. thick. CE (EMI) FCC

Part Number	LED Colour	Power Consumption	Colour Temperature	Luminous Flux		Illuminance @ 1 mt.	Radiation Angle	CRI %
				MIN.	TYP.			
T8-10C-096-J2C	Cold	10W	5300~7000K	800 lm	900 lm	240 lux	120°	80
T8-10N-096-J2C	Neutral	10W	3750~4500K	800 lm	900 lm	240 lux	120°	80
T8-10W-096-J2C	Warm	10W	2850~3500K	750 lm	850 lm	223 lux	120°	80



90 cm. **<15W** 144 LED SMD on 1 line on MCPCB 1mm. thick. CE (EMI) FCC

Part Number	LED Colour	Power Consumption	Colour Temperature	Luminous Flux typ.		Illuminance @ 1 mt.	Radiation Angle	CRI %
				MIN.	TYP.			
T8-15CA-894A-J2A1	Cold	15W	5300~7000K	1400 lm	1500 lm	340 lux	120°	80
T8-15NA-894A-J2A2	Neutral	15W	3750~4500K	1400 lm	1500 lm	340 lux	120°	80
T8-15WA-894A-J2A3	Warm	15W	2850~3500K	1350 lm	1450 lm	310 lux	120°	80



120 cm. **<15W** 144 LED SMD on 1 line on MCPCB 1mm. thick. CE (EMI) FCC

Part Number	LED Colour	Power Consumption	Colour Temperature	Luminous Flux typ.		Illuminance @ 1 mt.	Radiation Angle	CRI %
				MIN.	TYP.			
T8-15C-144-J2C	Cold	15W	5300~7000K	1400 lm	1500 lm	300 lux	120°	80
T8-15N-144-J2C	Neutral	15W	3750~4500K	1400 lm	1500 lm	300 lux	120°	80
T8-15W-144-J2C	Warm	15W	2850~3500K	1330 lm	1450 lm	282 lux	120°	80



120 cm. **<23W** 216 LED SMD on 1 line on MCPCB 1mm. thick. CE (EMI) FCC

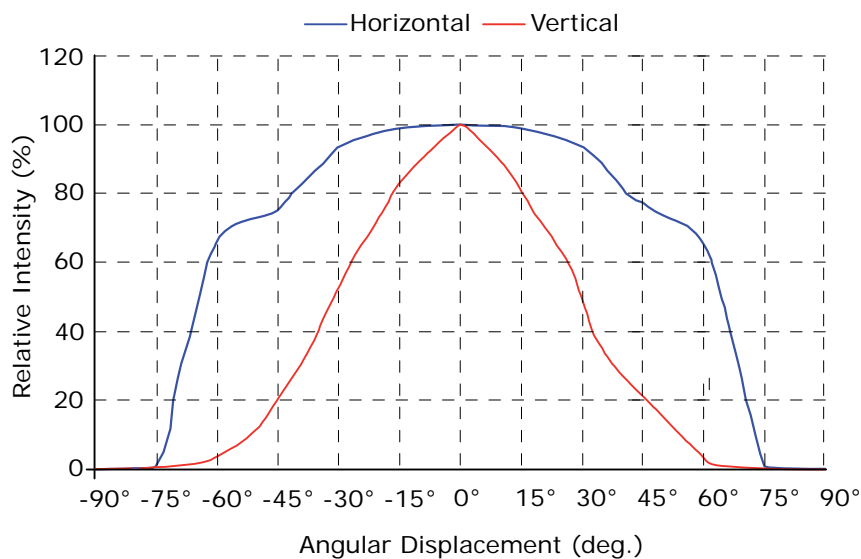
Part Number	LED Colour	Power Consumption	Colour Temperature	Luminous Flux typ.		Illuminance @ 1 mt.	Radiation Angle	CRI %
				MIN.	TYP.			
T8-23C-216-J2C	Cold	23W	5300~7000K	2100 lm	2200 lm	360 lux	120°	80
T8-23N-216-J2C	Neutral	23W	3750~4500K	2100 lm	2200 lm	360 lux	120°	80
T8-23W-216-J2C	Warm	23W	2850~3500K	2000 lm	2100 lm	338 lux	120°	80



150 cm. **<25W** 240 LED SMD on 1 line on MCPCB 1mm. thick. CE (EMI) FCC

Part Number	LED Colour	Power Consumption	Colour Temperature	Luminous Flux typ.		Illuminance @ 1 mt.	Radiation Angle	CRI %
				MIN.	TYP.			
T8-25C-240-J2C	Cold	25W	5300~7000K	2200 lm	2350 lm	400 lux	120°	80
T8-25N-240-J2C	Neutral	25W	3750~4500K	2200 lm	2350 lm	400 lux	120°	80
T8-25W-240-J2C	Warm	25W	2850~3500K	2100 lm	2250 lm	376 lux	120°	80

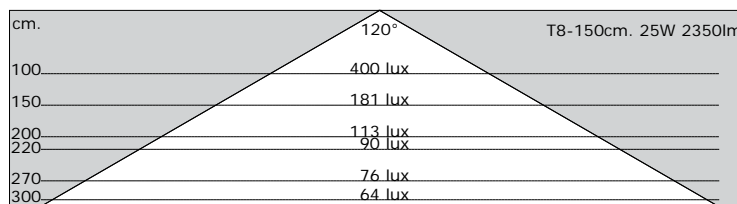
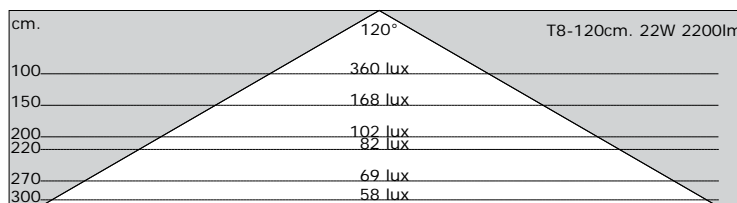
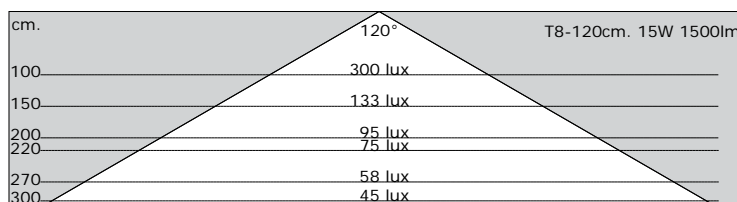
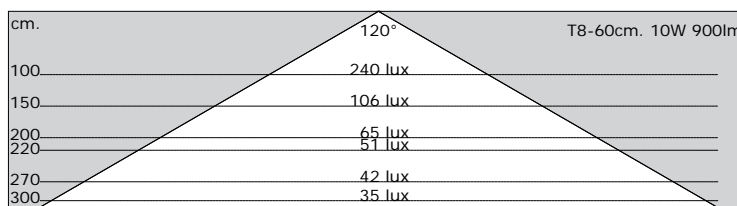
Typical spatial radiation pattern



Light Cone Data.

Illuminance (CW).

IES files available on request.



INSTALLATION GUIDE:

Replacement of fluorescent tube in existing fixture with magnetic ballast (with starter)



**Turn Off Power
Before Servicing**

Step 1



Step 2 - remove the conventional fluorescent lamp from the fixture.



Step 3 - remove the standard starter from the fixture.



Step 4 - install the LED tube into the fixture.



Step 5 - turn on the power.

INSTALLATION GUIDE:

Replacement of fluorescent tube in existing fixture with electronic ballast (no starter)



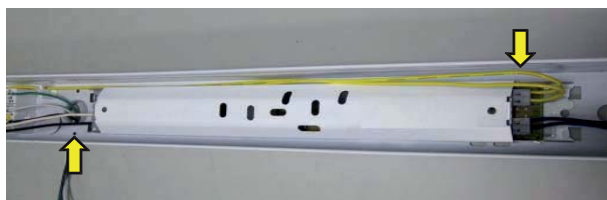
**Turn Off Power
Before Servicing**
Step 1



Step 2 - remove the conventional fluorescent lamp from the fixture.



Step 3 - open the fixture.



Step 4 - disconnect wires of the ballast.



Step 5 - remove the ballast.



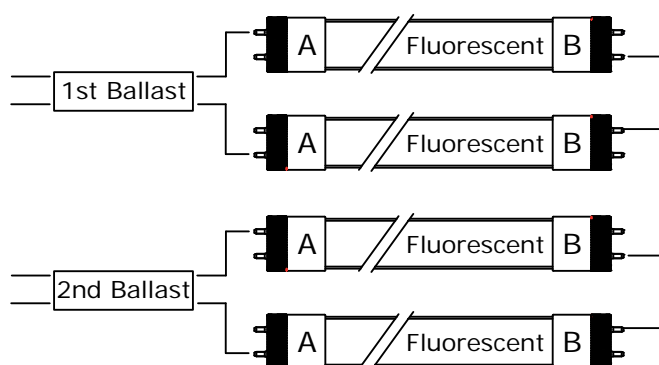
Step 6 - connect the wires.



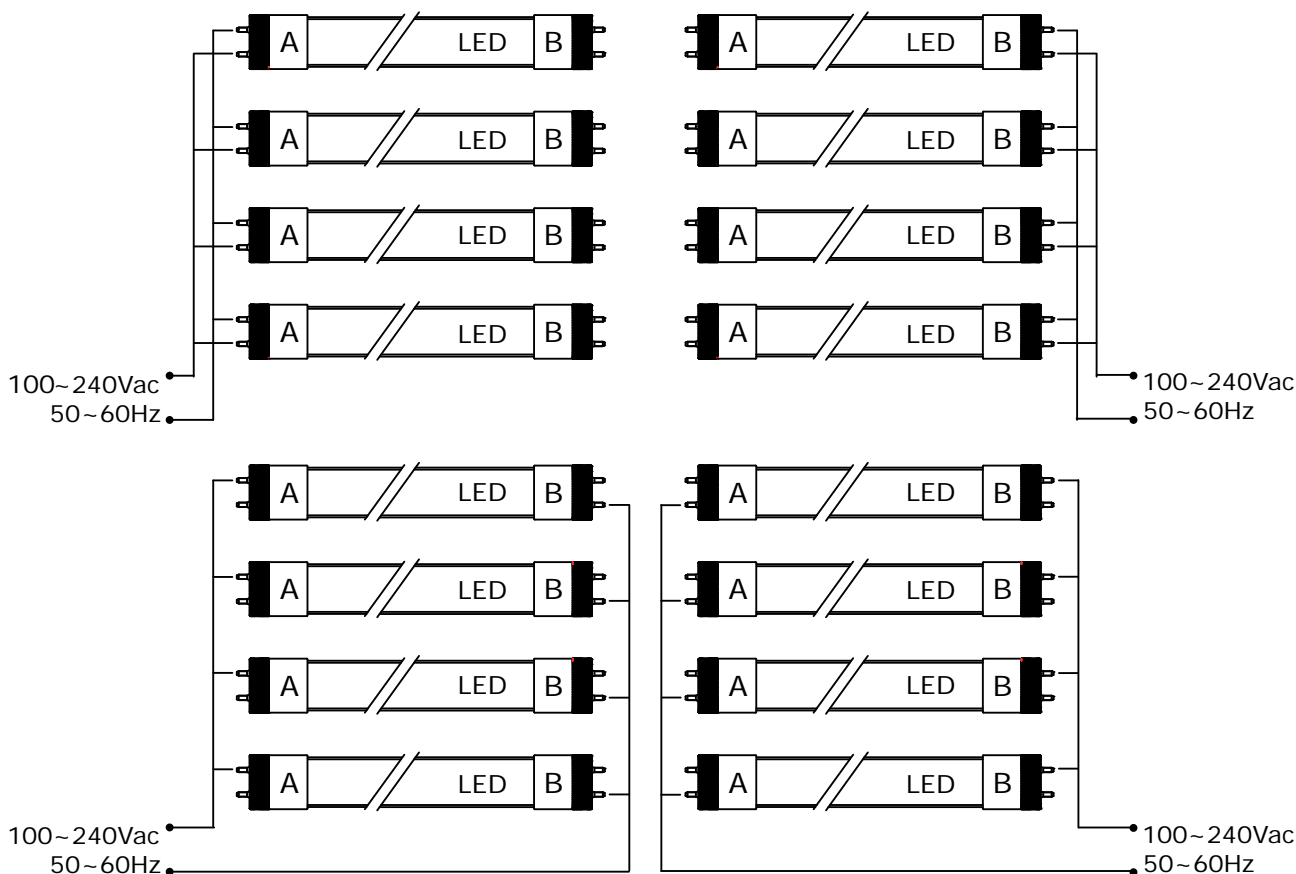
Step 7 - install the LED tube into the fixture then turn on the power.

Replacement of fluorescent tube in existing fixture with multiple tubes
be sure that only one set of wires goes to hot and cold wires.
Disconnect any jumper wire connecting fixtures to each other.

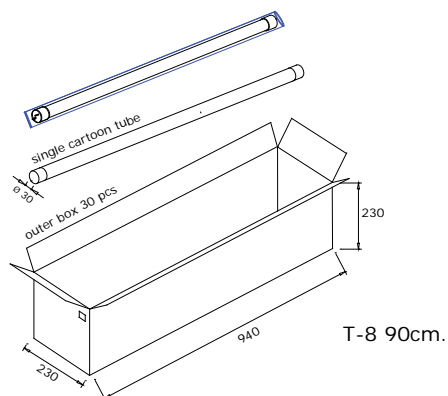
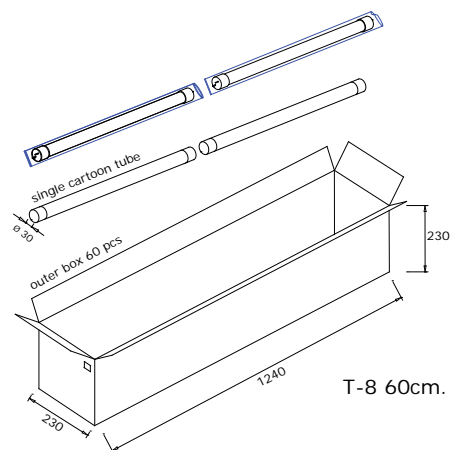
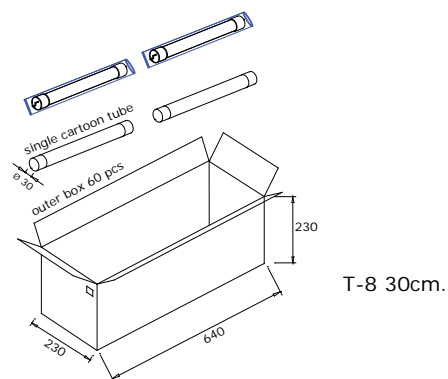
Typical wiring of fixture with 4 fluorescent tubes:



Possible alternative wiring for replacement of fluorescent tubes by LED tubes:

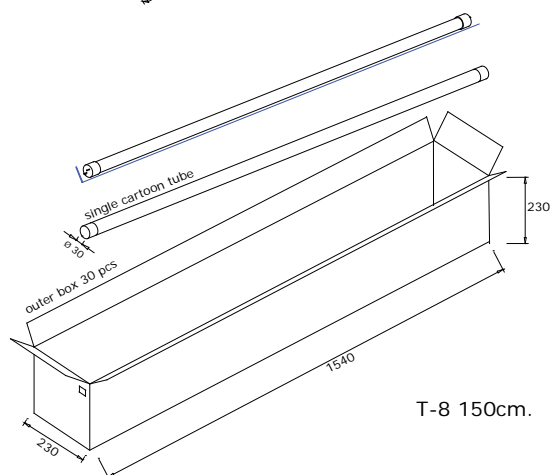
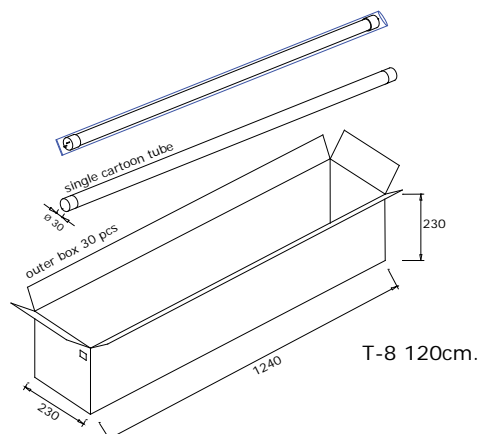


Packing information



Standard packing

Tube size	unit	G.W. Kg.	
		60 pcs. box	30 pcs. box
30cm. 5W	0,20	10,20	
60cm. 10W	0,30	19,60	
90cm. 15W	0,40		13,50
120cm. 15W	0,60		17,60
120cm. 22W	0,60		18,40
150cm. 25W	0,80		20,80



Pins are protected by plastic caps

