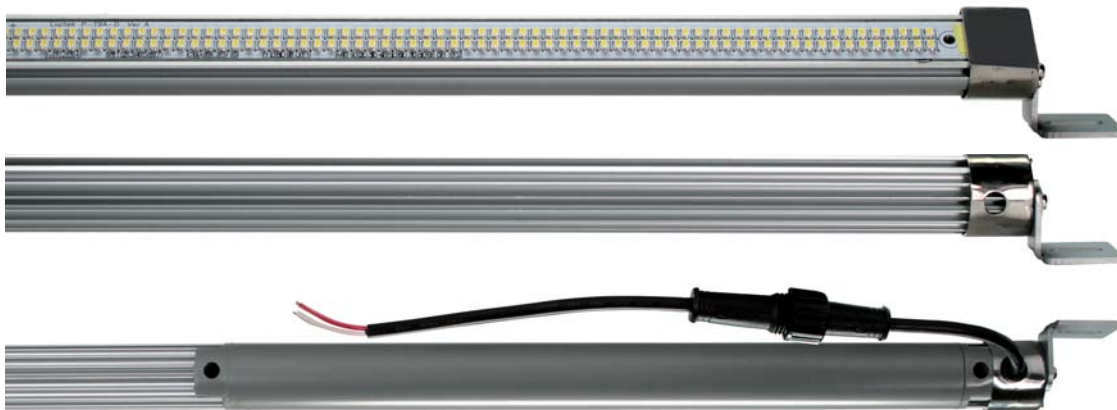


LED BAR FOR MEANS OF TRANSPORT - 72VDC

LG-T084HW0-22-CW0-72DC-H11

Orienable LED BAR with special built-in driver for input 52~200Vdc



Environmental Specification

Parameter	Rating	Parameter	Rating
Humidity	0~95%	Temp. Balance time	120'
Storage Temp.	-20~+50°C	Lifespan @T _A 55°C	>30.000 hrs
Working Temp.	-20~+85°C	Lifespan @T _A 85°C	>12.000 hrs
Surface Temp.	50°C		

Optical Specification

Colour Temperature	Lumious Flux typ.	Illuminance			CRI %
		@ 1 mt.	@ 2 mt.	@ 3 mt.	
5000~6300K	2500 lm	550 lux	200 lux	100lux	70

Power Supply Specification

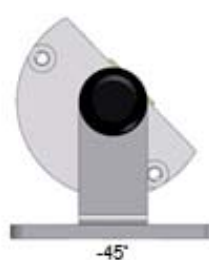
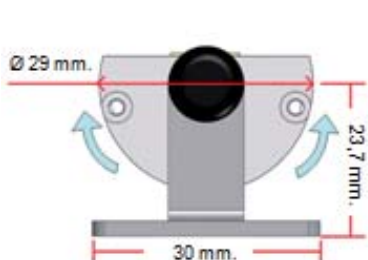
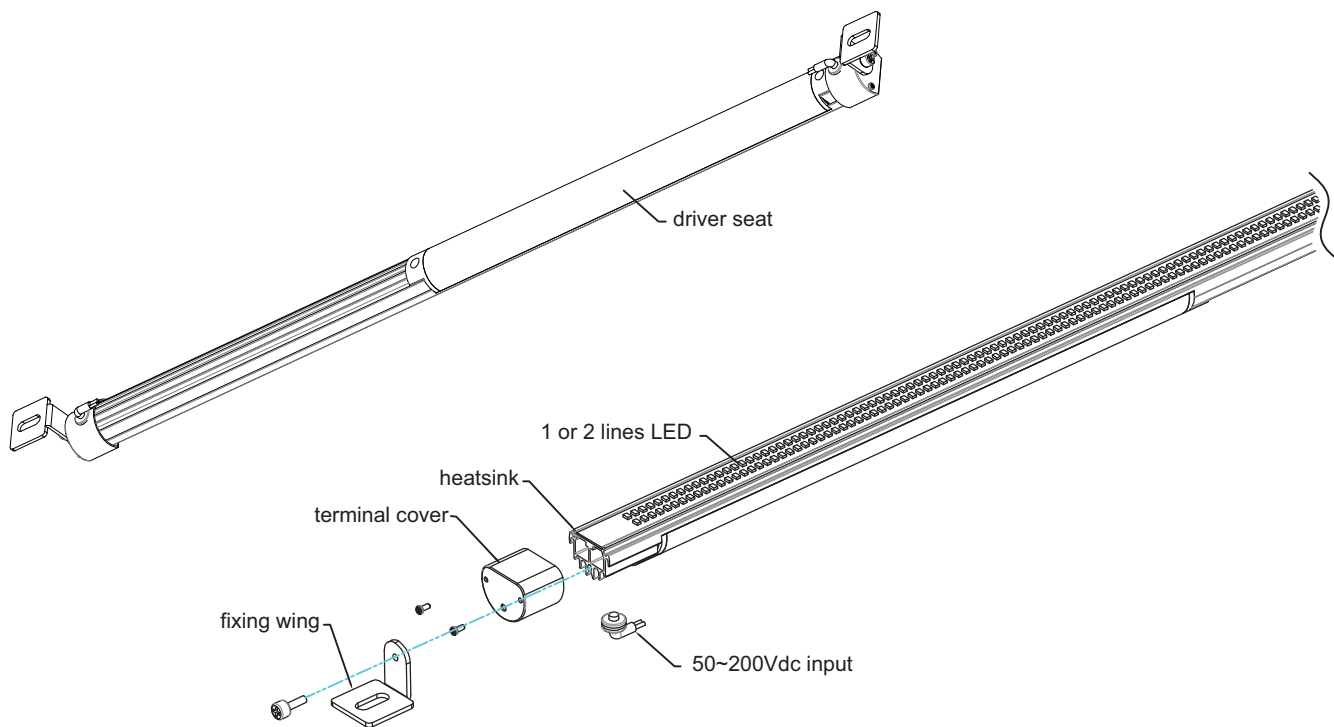
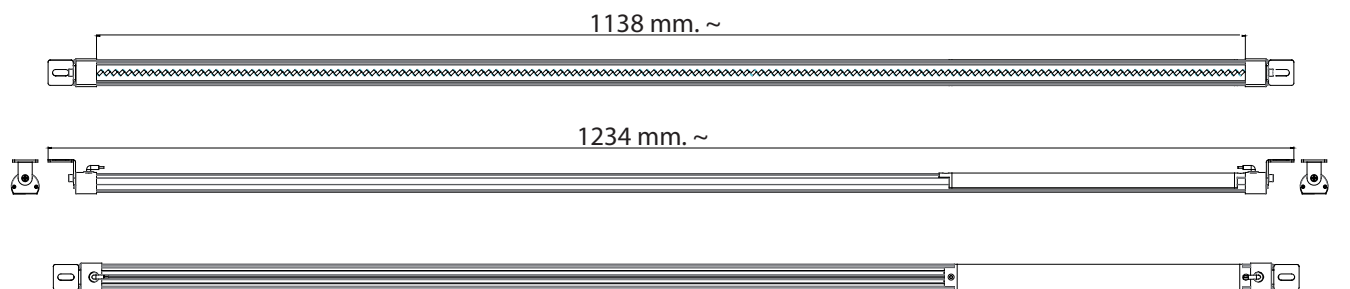
LED	Input Voltage Rate	Input Voltage Range	Power Consumption	Radiation Angle	Adjustable Direction
LWK5630	72Vdc	52~200Vdc	<22W	110°	-45°~+45°

LED BAR FOR MEANS OF TRANSPORT - 72VDC

LG-T084HW0-22-CW0-72DC-H11

Orientable LED BAR with special built-in driver for input 52~200Vdc

Mechanical construction:



OPTIONAL:
PC front lens