

## LED Tube T5 100-240VAC

Available in 3 standard lengths: 60 cm 10W ; 90 cm. 14W ; 120 cm 18W.

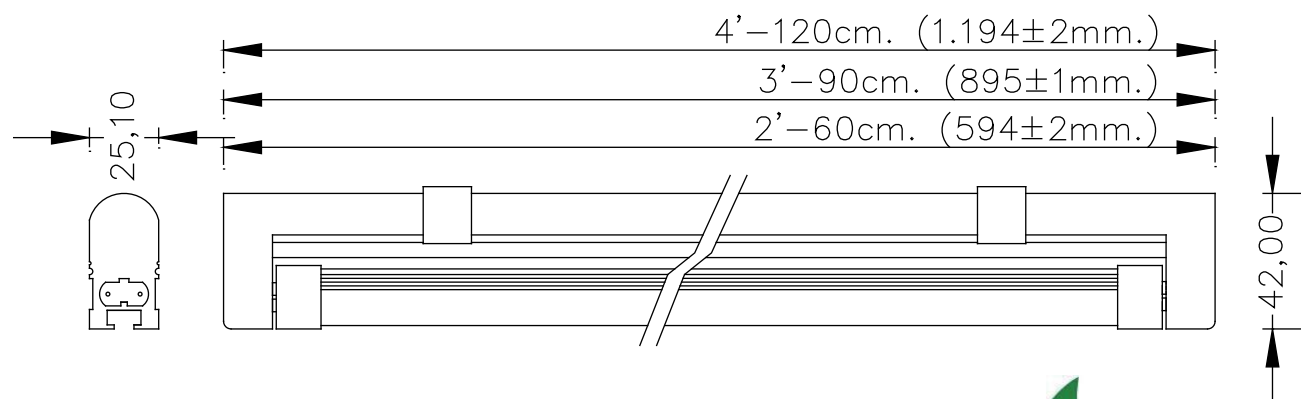
Uniform and soft light emission. Essential design, simple and elegant.

Low power consumption. Very light housing with built in driver.

Easy to install and connect to VAC power by its dedicated cord.

Possible to connect more tubes in a row using jumper connector.

Low working temperature helps to keep lower room temperature



- Ecologically friendly.
- Low heat emission.
- Low energy consumption.
- No UV, IR, mercury and other harmful materials.
- Long lifespan.
- Easy to install and maintain.
- No flickering & FR interference.
- No ignition delay.

- General Light - spot lights
- Bar - Club - Restaurant
- Shop windows
- Home - Office
- Interior Design

## LED Tube T5 100-240VAC OPAL LENS 10W - 60 cm. / 14W - 90 cm. / 18W - 120 cm.

### Environmental Specification

Parameter	Rating
Humidity	85% max.
Storage Temp.	-20~+50°C
Working Temp.	-15~+50°C
Surface Temp.	50°C

### Power Supply Specification

Parameter	Rating
Input Voltage Range	100~260VAC
Power factor	≥0,9

### Opal Lens



### Ordering information

Part Number	LED Colour	Power Consumption	Colour Temperature	Lumimous Flux typ.	Illuminance @ 1 mt.	Radiation Angle	CRI %
T5-10C-096-L3	Cold	10W	5700K	800 lm	220 lux	120°	75
T5-10N-096-L3	Neutral	10W	4300K	800 lm	220 lux	120°	75
T5-10W-096-L3	Warm	10W	3000K	750 lm	200 lux	120°	75
T5-14C-144-J2C	Cold	14W	5700K	1150 lm	280 lux	120°	75
T5-14N-144-J2C	Neutral	14W	4300K	1150 lm	280 lux	120°	75
T5-14W-144-J2C	Warm	14W	3000K	1100 lm	260 lux	120°	75
T5-18C-192-L3	Cold	18W	5700K	1500 lm	320 lux	120°	75
T5-18N-192-L3	Neutral	18W	4300K	1500 lm	320 lux	120°	75
T5-18W-192-L3	Warm	18W	3000K	1400 lm	300 lux	120°	75



VAC cord



VAC jumper connector

## LED Tube T5 100-240VAC CLEAR LENS 10W - 60 cm. / 14W - 90 cm. / 18W -120 cm.

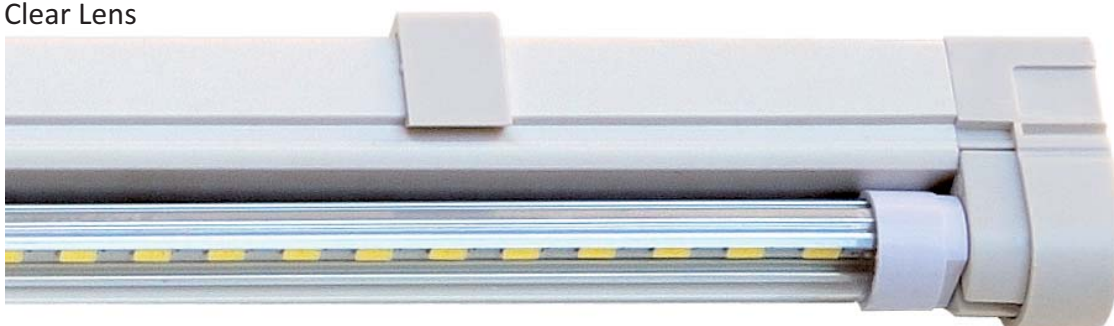
### Environmental Specification

Parameter	Rating
Humidity	85% max.
Storage Temp.	-20~+50°C
Working Temp.	-15~+50°C
Surface Temp.	50°C

### Power Supply Specification

Parameter	Rating
Input Voltage Range	100~260VAC
Power factor	≥0,9

### Clear Lens



### Ordering information

Part Number	LED Colour	Power Consumption	Colour Temperature	Lumimous Flux typ.	Illuminance @ 1 mt.	Radiation Angle	CRI %
T5-10C-048-L4A	Cold	10W	5700K	850 lm	260 lux	120°	72
T5-10N-048-L4A	Neutral	10W	4300K	850 lm	260 lux	120°	72
T5-10W-048-L4A	Warm	10W	3000K	800 lm	240 lux	120°	72
T5-14C-066-J2A	Cold	14W	5700K	1250 lm	300 lux	120°	75
T5-14N-066-J2A	Neutral	14W	4300K	1250 lm	300 lux	120°	75
T5-14W-066-J2A	Warm	14W	3000K	1150 lm	280 lux	120°	75
T5-18C-090-L4A	Cold	18W	5700K	1600 lm	350 lux	120°	72
T5-18N-090-L4A	Neutral	18W	4300K	1600 lm	350 lux	120°	72
T5-18W-090-L4A	Warm	18W	3000K	1600 lm	350 lux	120°	72



VAC cord



VAC jumper connector

## LED Tube T5 100-240VAC 10W - 60 cm. / 14W - 90 cm. / 18W - 120 cm.

### Packing

60 cm.	inner box 1 pc 600x30x45 mm Kg. 0,32 ea. outer box 56pcs 1240 x 230x200 mm. Kg.18,50 tot.
90 cm.	inner box 1 pc 900x30x45 mm. Kg.0,48 ea. outer box 28 pcs 900x230x200 Kg. 15,00 tot.
120 cm.	inner box 1 pc 1190x30x45 mm. Kg. 0,62 ea. outer box 28 pcs 1240x230x200 28pcs. Kg.18,50 tot.

