

LED TUBE T9 100-240VAC

Save energy and help to protect the environment.

The high efficiency of our LED devices reduce power consumption without sacrificing proper lighting performances. Quick return of your investment.

Isolated power supply circuit.

Over 30.000 hrs. life span.

2 years guarantee.



LED tubes with clear lens. Axial flux direction. ↓



LED tubes with white diffused lens.

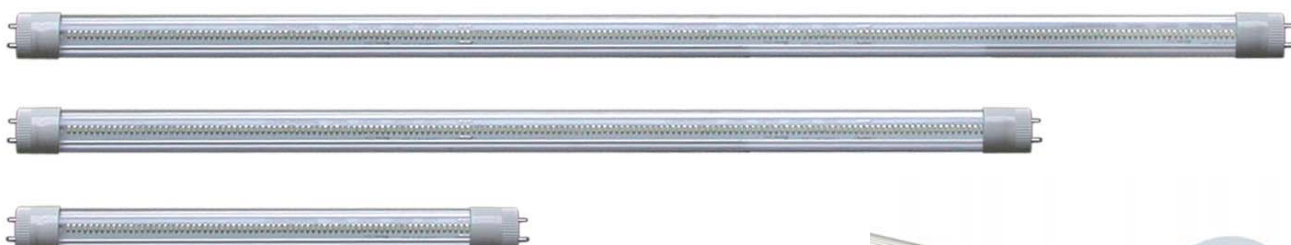
Orientable flux directions: 0° 20° 40° 60° 90° 60° 40° 20° 0° ↻



- Ecologically friendly
- Low heat emission
- Low energy consumption
- No UV, IR, mercury and other harmful materials
- Long lifespan
- Easy to install and maintain
- No flickering & FR interference
- No ignition delay
- Sturdy construction.
- Not brittle like glass fluorescent tubes

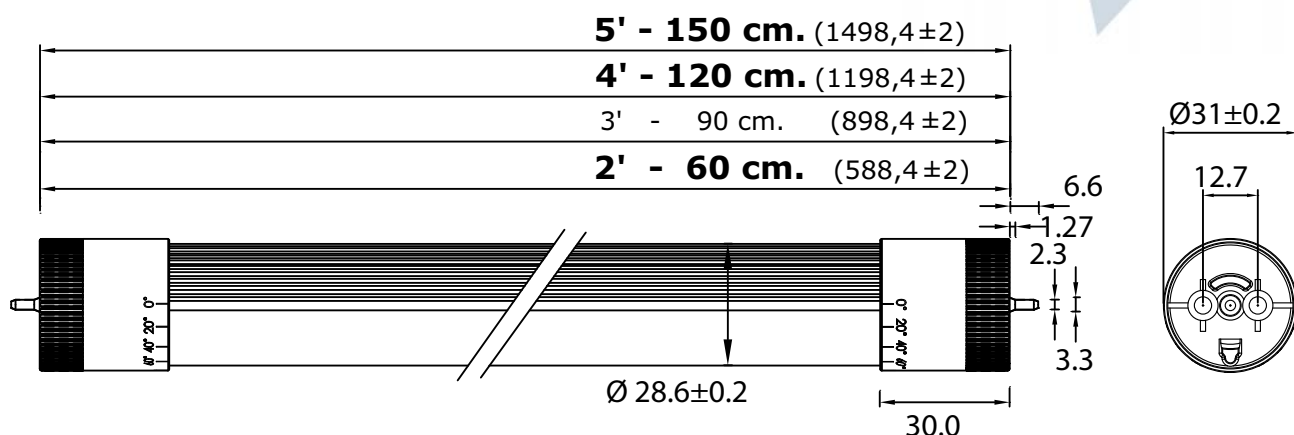
- General Light
- Stores - Shopping malls
- Shop windows - Showcase
- Offices - Public buildings
- Hospital
- Bar - Club - Restaurant
- Cove light
- Furniture - Bookshelves - Cabinet

T9 LED tubes 3 standard sizes: 2'-60cm. / 4'-120cm. / 5'-150cm. (size 3'-90cm. available on request)



Orienteable flux directions:

0° 20° 40° 60° 90° 60° 40° 20° 0°



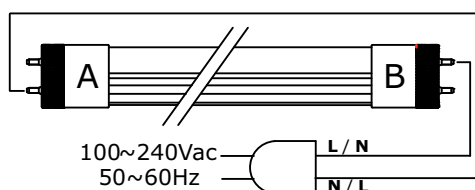
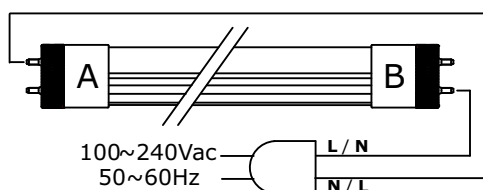
Enviromental Specification

Parameter	Rating
Humidity	95% max.
Storage Temperature	-20° ~ 50°C
Operating Temperature	-20° ~ 40°C
Surface Temperature	< 50°C

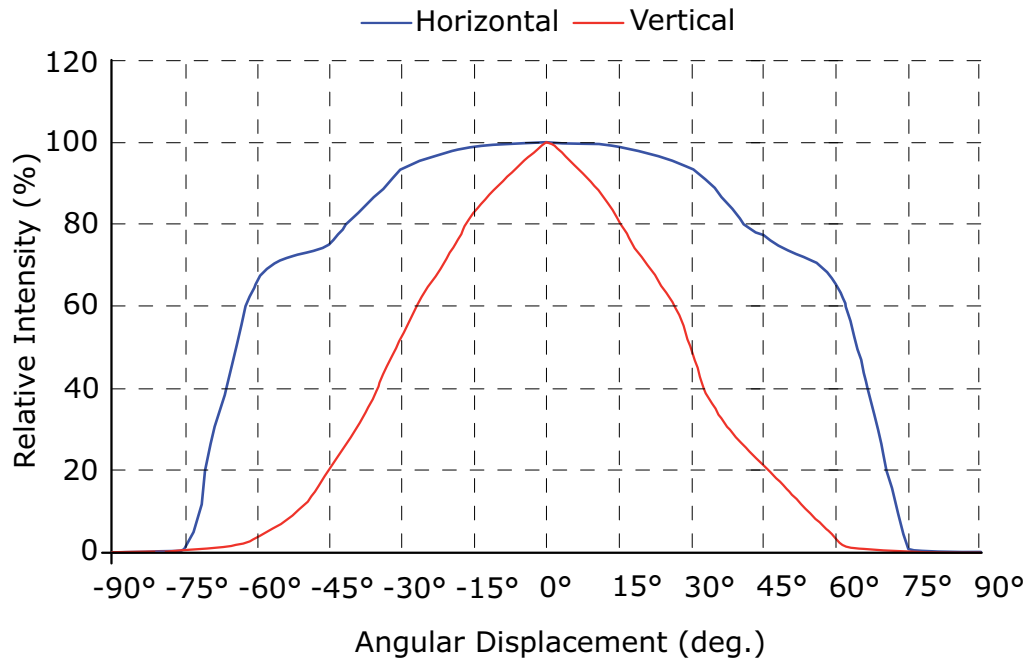
Power Supply Specification

Parameter	Rating
Input Voltage	100 ~ 240VAC
Input Voltage Range	90 ~ 264VAC
Power Factor	> 0,9
Power Consumption	10W-20W-28W

2 alternative possible types of connection:



Typical spatial radiation pattern



2' - 60 cm. <10W 140 LED SMD on 1 line

CE (EMI) FCC ETL

Part Number	Type	Lens	White LED Colour	Col. Temp. Kelvin		CRI %	Flux lm	Illuminance lux		
				min.	max.			1 mt.	2 mt.	3 mt.
FL09-08-124A-WW-H	↓	opal	Warm	2800	3800	70	550	200	80	30
FL09-08-124A-NW-H	↓	opal	Neutral	3500	4500	70	625	230	90	35
FL09-08-124A-CW-H	↓	opal	Cold	5000	7000	70	700	260	100	40
FL09A-08-124A-WW-H	↓	clear	Warm	2800	3800	70	580	230	100	40
FL09A-08-124A-NW-H	↓	clear	Neutral	3500	4500	70	660	260	110	46
FL09A-08-124A-CW-H	↓	clear	Cold	5000	7000	70	740	290	120	50
T092AB8-10-WW0-124A-H11	↷	opal	Warm	2800	3800	70	550	200	80	30
T092AB8-10-NW0-124A-H11	↷	opal	Neutral	3500	4500	70	625	230	90	35
T092AB8-10-CW0-124A-H11	↷	opal	Cold	5000	7000	70	700	260	100	40
T092AB9-10-WW0-124A-H11	↷	clear	Warm	2800	3800	70	580	230	100	40
T092AB9-10-NW0-124A-H11	↷	clear	Neutral	3500	4500	70	660	260	110	46
T092AB9-10-CW0-124A-H11	↷	clear	Cold	5000	7000	70	740	290	120	50



4' - 120 cm. <20W 280 LED SMD on 1 line

CE (EMI) FCC ETL

Part Number	Type	Lens	White LED Colour	Col. Temp. Kelvin		CRI %	Flux lm	Illuminance lux		
				min.	max.			1 mt.	2 mt.	3 mt.
FL08-18-124A-WW-H	↓	opal	Warm	2800	3800	70	1100	320	150	80
FL08-18-124A-NW-H	↓	opal	Neutral	3500	4500	70	1250	370	130	70
FL08-18-124A-CW-H	↓	opal	Cold	5000	7000	70	1400	420	150	80
FL08A-18-124A-WW-H	↓	clear	Warm	2800	3800	70	1160	350	140	80
FL08A-18-124A-NW-H	↓	clear	Neutral	3500	4500	70	1320	410	150	90
FL08A-18-124A-CW-H	↓	clear	Cold	5000	7000	70	1480	460	170	100
T094AB8-20-WW0-124A-H11	↷	opal	Warm	2800	3800	70	1100	320	150	80
T094AB8-20-NW0-124A-H11	↷	opal	Neutral	3500	4500	70	1250	370	130	70
T094AB8-20-CW0-124A-H11	↷	opal	Cold	5000	7000	70	1400	420	150	80
T094AB9-20-WW0-124A-H11	↷	clear	Warm	2800	3800	70	1160	350	140	80
T094AB9-20-NW0-124A-H11	↷	clear	Neutral	3500	4500	70	1320	410	150	90
T094AB9-20-CW0-124A-H11	↷	clear	Cold	5000	7000	70	1480	460	170	100



5' - 150 cm. <28W 350 LED SMD on 1 line

CE (EMI) FCC ETL

Part Number	Type	Lens	White LED Colour	Col. Temp. Kelvin		CRI %	Flux lm	Illuminance lux		
				min.	max.			1 mt.	2 mt.	3 mt.
T095AA7-28-WW0-124A-H01	↓	opal	Warm	2800	3800	70	1400	370	120	70
T095AA7-28-NW0-124A-H01	↓	opal	Neutral	3500	4500	70	1600	410	140	80
T095AA7-28-CW0-124A-H01	↓	opal	Cold	5000	7000	70	1800	460	160	90
T095AA9-28-WW0-124A-H01	↓	clear	Warm	2800	3800	70	1480	410	140	90
T095AA9-28-NW0-124A-H01	↓	clear	Neutral	3500	4500	70	1690	460	160	100
T095AA9-28-CW0-12A-H01	↓	clear	Cold	5000	7000	70	1900	510	180	110
T095AB7-28-WW0-124A-H02	↷	opal	Warm	2800	3800	70	1400	370	120	70
T095AB7-28-NW0-124A-H02	↷	opal	Neutral	3500	4500	70	1600	410	140	80
T095AB7-28-CW0-124A-H02	↷	opal	Cold	5000	7000	70	1800	460	160	90
T095AB9-28-WW0-124A-H02	↷	clear	Warm	2800	3800	70	1480	410	140	90
T095AB9-28-NW0-124A-H02	↷	clear	Neutral	3500	4500	70	1690	460	160	100
T095AB9-28-CW0-124A-H02	↷	clear	Cold	5000	7000	70	1900	510	180	110

INSTALLATION GUIDE:

Replacement of fluorescent tube in existing fixture with magnetic ballast (with starter)

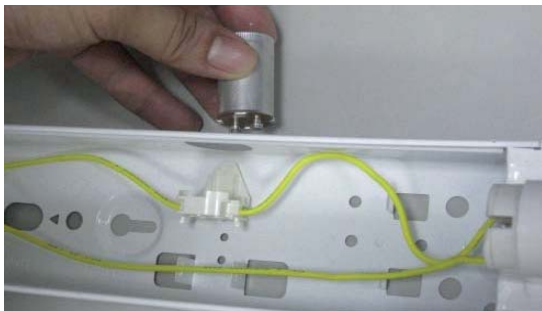


**Turn Off Power
Before Servicing**

Step 1



Step 2 - remove the conventional fluorescent lamp from the fixture.



Step 3 - remove the standard starter from the fixture.



Step 4 - install the LED tube into the fixture.



Step 5 - turn on the power.

INSTALLATION GUIDE:

Replacement of fluorescent tube in existing fixture with electronic ballast (no starter)



**Turn Off Power
Before Servicing**
Step 1



Step 2 - remove the conventional fluorescent lamp from the fixture.



Step 3 - open the fixture.



Step 4 - disconnect wires of the ballast.



Step 5 - remove the ballast.



Step 6 - connect the wires.

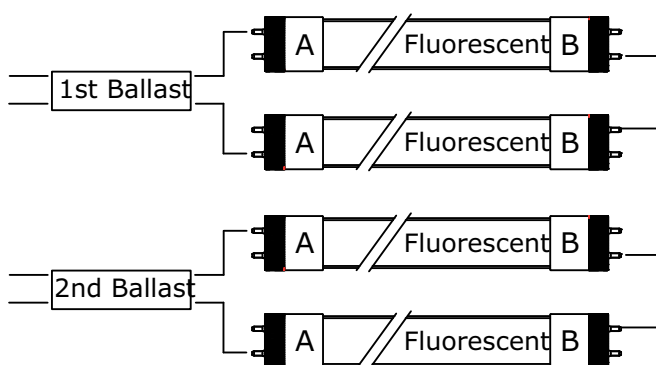


Step 7 - install the LED tube into the fixture then turn on the power.

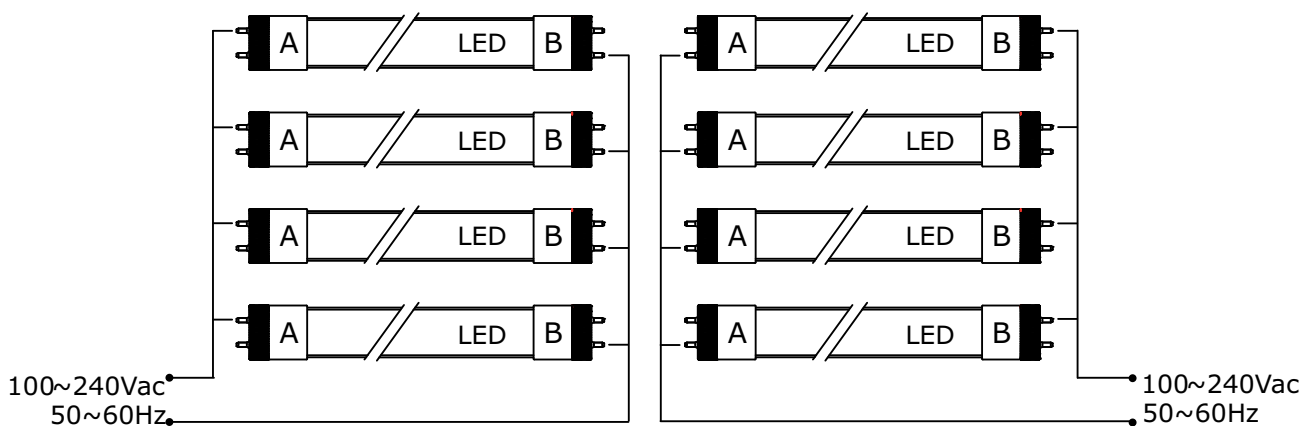
Replacement of fluorescent tube in existing fixture with multiple tubes.

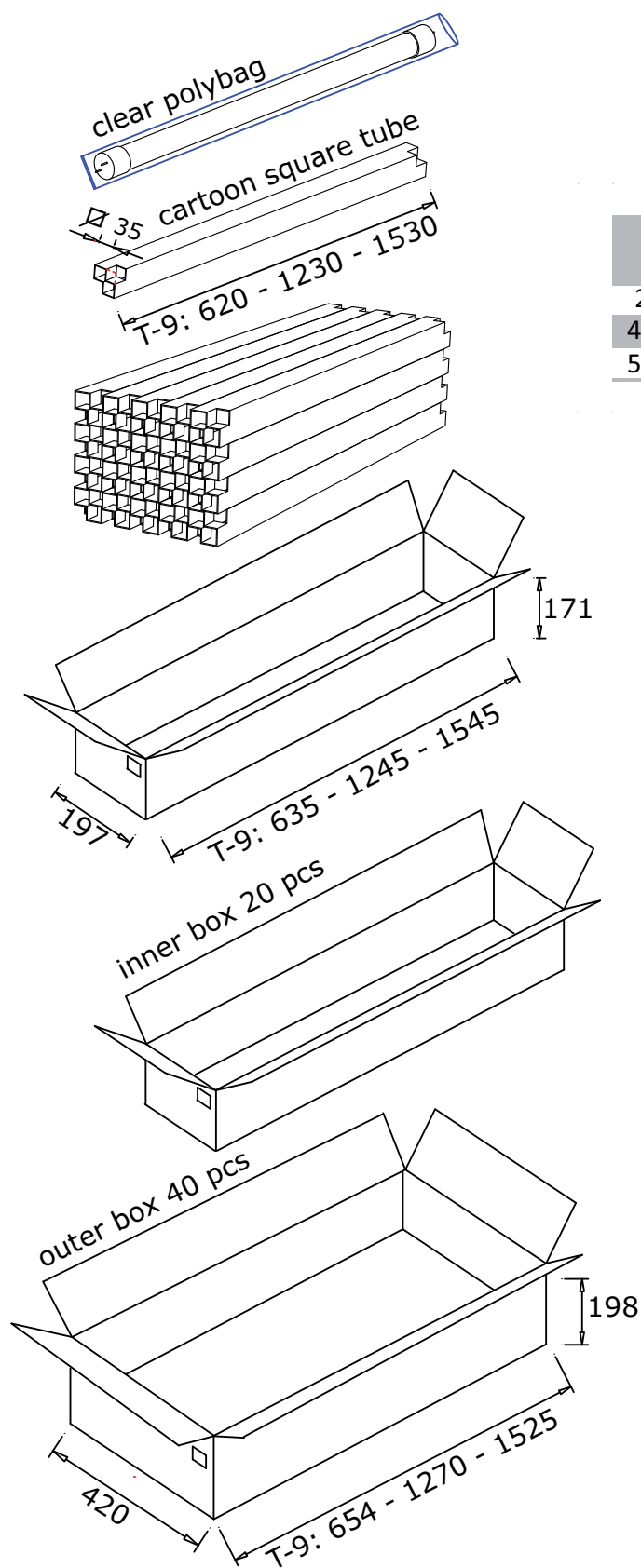
Be sure that only one set of wires goes to hot and cold wires.
Disconnect any jumper wire connecting fixtures to each other.

Typical wiring of fixture with 4 fluorescent tubes



Possible wiring for replacement by LED tubes series FL and T09XAX





Packing information

tube size	unit	G.W. Kg.	
		20 pcs box	40 pcs box
2' - 60 cm.	0,30	6,60	14,30
4' - 120 cm.	0,54	11,80	26,10
5' - 150 cm.	0,66	14,70	33,20



pins are protected
by plastic caps